



MK Technika Grzewcza i Klimatyzacja

45-368 Opole, ul. Ozimska 53
tel. 77 453-14-14, 77 402-14-70, 77 402-14-71
fax 77 402-14-70, 77 402-14-71
e-mail: biuro@mk.net.pl
www.mk.net.pl



STEFFES

CUSTOMER FOCUSED. SOLUTION DRIVEN. FIELD PROVEN.

Steffes Heating Systems

Electric Thermal Storage (ETS)

Residential



13-240 kWh

Commercial & Industrial

Therm  ELECT



240-480 kWh

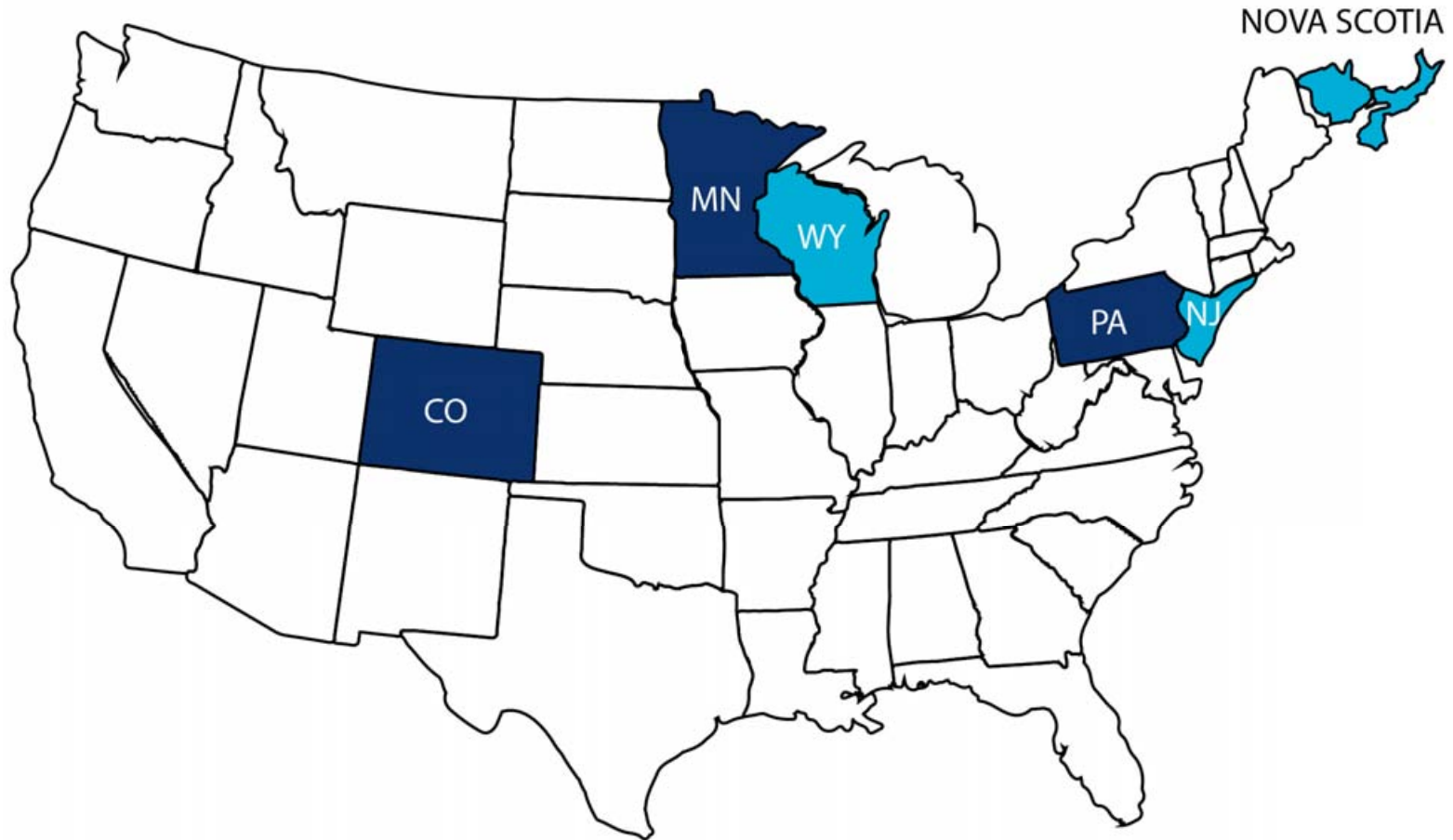
5100

Hydronic ETS

- **Since 2002**
- **>3 500 N. America**

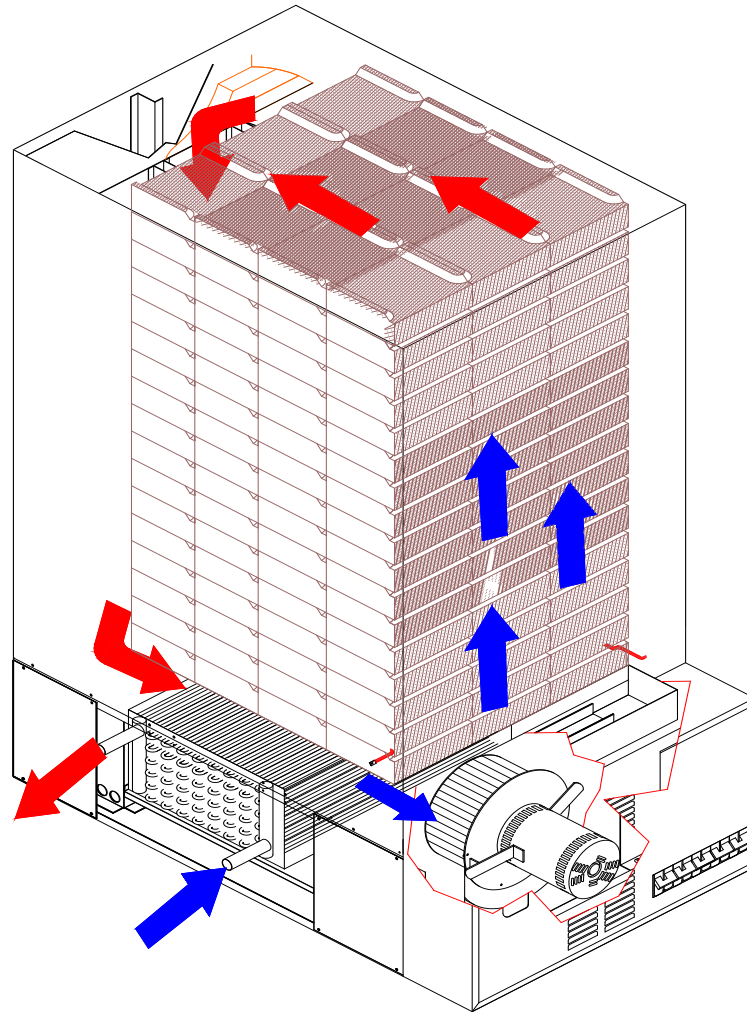


Across North America



5100

Hydronic ETS



5100

Hydronic ETS



5100

Hydronic ETS



5100

Hydronic ETS



E5100

Comfort Plus Hydronic



**Modele:
E5120, E5130 i
E5140**

CE
STEFFES
CUSTOMER FOCUSED. SOLUTION DRIVEN. FIELD PROVEN.

Case Studies



Case Studies



Case Studies



HOW DID WE MEASURE UP?

- Coal...\$43,618/year
- ETS...\$19,278/year
- SAVED...\$24,340/YEAR!

Case Studies



Comments:

- No routine maintenance is required.
- “Exceeded expectations”
- Operating costs are “lower than expected”
- If they were purchasing a new heating system, they would choose the Comfort Plus system again.
- Clean, Safe, Quiet, Reliable

ETS...a “Thermal Battery”



Steffes Manufacturing Facilities

Dickinson, North Dakota



Grand Forks,
North Dakota

West Location



East Location

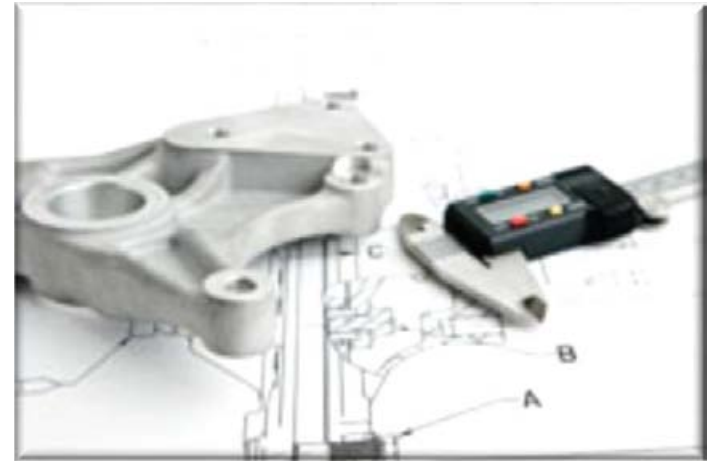


Steffes

- Over 45 Years in Business
- 24,526 m² of Manufacturing Space
- Over 500 Employees
- UL/cUL Recognized Plant
- ASME Code Shop – U, UM & R Stamps
- Sales Territory - North America
- Registered API Q1 ISO9001 Company



Manufacturing Solutions



State of the Art Manufacturing Equipment

Manufacturing Solutions



Oil Field Products



Innovation & Design to Exceed Customer Needs

Electric Control Panels



UL 508 and UL 698 Industrial Control Panel
Approved Manufacturer



5100

Hydronic ETS



5100 Installation