



MK Technika Grzewcza

45-368 Opole, ul. Ozimska 53  
tel. 77 453-14-14, 77 402-14-70, 77 402-14-71  
fax 77 402-14-70, 77 402-14-71  
e-mail: [biuro@mk.net.pl](mailto:biuro@mk.net.pl)  
[www.mk.net.pl](http://www.mk.net.pl)

# radiate style...

The breathtaking Radiance electric fire series combines striking aesthetics and cutting edge technology, letting you instantly transform any interior. Offering a captivating, realistic flame picture in a choice of effects and colours, this designer fire is available in either wall mounted or inset versions, as well as a variety of sizes and styling options for optimal versatility. A choice of beautiful frames and eye-catching fuel effects allow for individual tailoring to your décor – radiating the utmost sophistication and style.



Front Cover Image: Radiance Inset 135R Edge  
with Clear Crushed Glass Fuel Effect





# innovation and inspiration...



Radiance 195R Inset Edge

## enchanting flame effects

The very latest addition to grace the Gazco Electric range, the Radiance series brings together stylish design and advanced flame technology to create an electric fire with truly mesmerising effects.



The stunning LED flame patterns give you the choice of two distinctive colours, so you can create the perfect mood for every occasion. Selecting the deep amber glow offers a warm and inviting atmosphere of a traditional fire, or alternatively the blue flame effect provides an eye-catching contemporary look. Each alluring flame picture features high and low brightness settings, letting you move between an ambient glow and radiant focal point. The flame pattern can also be operated without the heat, so you can enjoy the relaxing display even during the warmer summer months.



## wall mounted & inset options

The Radiance is offered as either a wall mounted or inset fire to suit your individual taste and the requirements of your room. Both versions are available in four different sizes, and can be further customised with a range of frame options. Whichever Radiance you choose, these designer fires will provide a striking centrepiece for your home.

All Radiance fires benefit from variable heat output between 1.0 or 2.0kW and feature additional thermostatic control, or alternatively you can even enjoy the effect without the heat at all.

## fabulous frames and fuel effects

There are a variety of beautiful frames and styling options available across both wall mounted and inset versions of the Radiance, making it easy to find the right look for your décor.

The wall mounted Radiance incorporates Gazco's state-of-the-art Chromalight™ LED backlighting



on both Glass and Steel frames, effortlessly setting the atmosphere with its mood enhancing illumination. Colour psychology, the study of combining colours for effect, stems from the principle that through exposure to certain lighting you can reach greater levels of relaxation, focus, or even revitalise your mind and body. The 12 colour chromatherapy lighting system lets you either bask in the serenity of a soothing, gradually changing colour spectrum or using the handset, immerse yourself in your favourite aura - at the touch of a button.

The Radiance Inset is presented in a frameless Edge design; finishing flush to the wall, it creates a timeless, hole-in-the-wall centrepiece. For a bolder style choice, the Verve XS Frame adds a presence that can be appreciated from all angles thanks to its curving 3D form. The Verve XS is available in sophisticated Graphite, Ivory or Metallic Red colours, each leaving a distinctive lasting impression.

All models in the Radiance series come with a customisable fuel bed that provides a focal point even when the fire is off. The standard White and Clear Stone bed can optionally be upgraded to clear Crushed Glass or Glass Beads in either black or clear, to further enhance the flames.



## creative control

Both wall mounted and inset Radiance fires come with a thermostatic remote control. The sleek handset gives you full control over the fire's host of features including heat output as well as flame effect brightness levels and colour, making it easy to create the perfect ambience from the comfort of your sofa. The remote control also lets you access the Radiance's convenient timer-off feature - perfect for gently falling asleep to the relaxing flames and comforting warmth.



# complete peace of mind

## the gazco pedigree

When you choose Gazco, quality and technology are assured. From contemporary hang on the wall fires to traditional stoves, Gazco are committed to creating the ultimate in flame effect fires. Our research and development laboratories are amongst the most advanced in the industry, ensuring that the very latest innovations are incorporated into our products.

Gazco is part of the Stovax Group who offer a prestigious product range which includes everything from traditional to the ultra-contemporary in a wide array of styles and sizes.

Whether your choice is solid fuel, gas, or electric you can be sure to find a stove or fireplace from our range to add the perfect warmth and character to your home. Full details of the Stovax Group's range of products can be found at [www.stovax.com](http://www.stovax.com).

Gazco is an ISO9001 accredited company. Our rigorous quality control system ensures that all our appliances comply with British Safety Standards as well as stringent European regulations. All fires in this brochure are CE marked. This means they have been independently tested to exacting European standards.



## warranty information

Your Gazco retailer will provide you with a Two Year Extended Warranty for your new electric fire, providing it is registered with Gazco. Please note this warranty excludes certain consumable parts. Fires purchased outside of Gazco's Expert Retailer Network will carry a standard One Year Warranty. Full warranty details, terms and conditions are available at [www.gazco.com](http://www.gazco.com).



## expert retailer network

We take great care to ensure that our fires are designed, tested and manufactured to the highest possible quality and safety standards. We are just as concerned to make certain that they are sold and installed correctly so that you will enjoy years of pleasure from your purchase.

Accordingly, you will find our products are only available from experienced, independent retailers who will be happy to show you a selection of models locally in their showrooms, often fully operational. These independent retailers will discuss your individual requirements covering both technical issues and design, to ensure that you select the most appropriate product for your home. They will also be able to advise on, or assist with, the installation process as well as help provide any after-sales support and servicing your appliance may require in the future.

Whilst we encourage our retailers to promote fireplace products and their outlets via the internet, we do not believe suitable levels of customer care and satisfaction can be obtained from purchasing the product only online and we would strongly recommend that you consider this when undertaking your research and making a purchasing decision. Furthermore, please be aware that we do not offer technical support (beyond our statutory responsibilities) to products bought via nationwide online sales, where this support would normally be offered by one of our qualified, independent retailers.

In addition, Gazco fires purchased from within our Expert Retailer Network will have the additional benefit of an extended warranty period, subject to terms and conditions. Full details can be found at [www.gazco.com](http://www.gazco.com).

## radiance video

To truly experience the Radiance's realistic flame and alluring lighting effects, view our short showcase video by scanning the QR code with your mobile device or visiting [www.gazco.com/radiance](http://www.gazco.com/radiance), alternatively you can visit your local expert retailer.



# choosing your radiance fire...



Radiance 80W Steel in Graphite



Radiance Inset 105R Edge with Clear Glass Beads Fuel Effect

## wall mounted fires .....08 - 13

With its easy hang-on-the-wall installation, the wall mounted Radiance lets you add an instant focal point to almost any room with no building work required. Needing only a standard three pin plug socket, you can easily add luxury to the lounge or ambience to the bedroom, in fact the Radiance can be installed in virtually any room in the home!

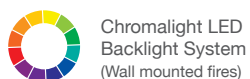
The additional semi-recess kit, which is also available, gives you the option of an even slimmer profile if desired by allowing you to partially set your Radiance into the wall.

## inset fires .....14 - 19

For under-stated style, the Radiance Inset's frameless design creates a strikingly contemporary and integrated look. Fitting flush to the wall, the inset version ensures a streamlined, seamless appearance for the ultimate minimalist design statement.

The optional Verve XS curved frame can be added for extra presence and aesthetic appeal.

## key features



Chromalight LED Backlight System (Wall mounted fires)



Amber & Blue Flame Effect



Frame available in Graphite, Metallic Red & Ivory



Thermostatic Remote Control



High Efficiency





# radiance size options

The Radiance wall mounted fire is available in a range of sizes to suit almost any interior. With their simple hang-on-the-wall installation and selection of stylish frames, these cutting edge fires let you easily add a stylish focal-point to any room. Offering up to 2.0kW heat output they can instantly create a warm and inviting atmosphere.

The Radiance can be fitted almost anywhere you wish to create a warming visual or to add some localised heat. With no building work required, these fires are great not just for lounges, but for studies, kitchens, conservatories and even bedrooms - bringing style and sophistication to virtually any location.

The larger Radiance 150W and 190W fires effortlessly add presence to open-plan living areas, hallways and other more spacious settings where you wish to make a design statement as well as add a convenient heat source.

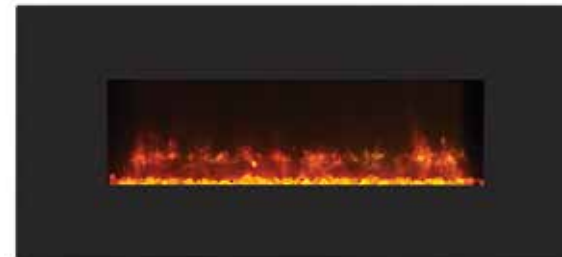
Wall mounted Radiance fires are available with an optional semi-recess kit, allowing you to reduce the fires already slim depth by almost two thirds when fitted into a pre-constructed 90mm wall cavity.

## wall mounted radiance dimensions (including frame)

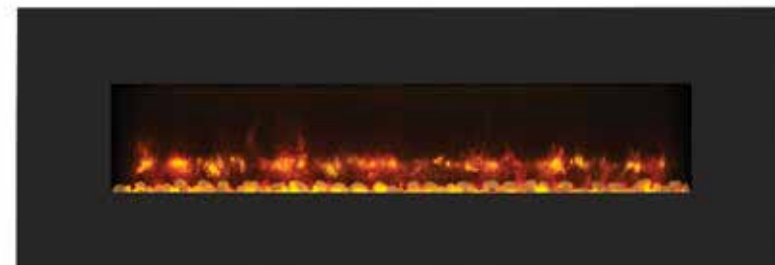
	Width	Height	Depth
Radiance 80W	1280mm	670mm	Glass: 160mm Steel: 175mm
Radiance 100W	1480mm	670mm	Glass: 160mm Steel: 175mm
Radiance 150W	1980mm	670mm	Glass: 160mm Steel: 175mm
Radiance 190W	2380mm	670mm	Glass: 160mm Steel: 175mm



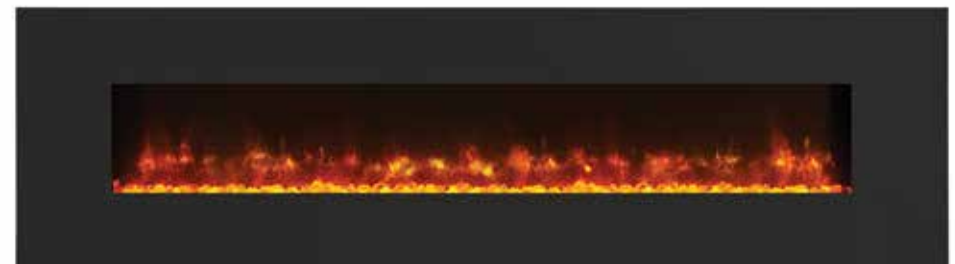
radiance 80W



radiance 100W



radiance 150W



radiance 190W



# radiance glass



Radiance 80W Glass in Black Glass



Radiance 100W Glass in White Glass

The reflective solid Glass frame makes a stylish addition to the Radiance wall mounted range; available in either Black or White glass, each perfectly encapsulating the Radiance's flickering amber or blue flame effects.

The Glass frame features Gazco's innovative Chromalight 12-colour LED backlighting feature; radiating a spectrum of captivating colours so you can create the perfect backdrop for any occasion.

Please see front cover, page 5 and page 20 for additional images.



**View the Video**  
at [www.gazco.com/radiance](http://www.gazco.com/radiance)

## Finish Choices

- Black Glass
- White Glass

## Heat Output

1.0 - 2.0kW  
(or flame effect only)

## Efficiency

99%

## Frame Dimensions w x h x d

- Radiance 80W: 1280 x 670 x 160mm
- Radiance 100W: 1480 x 670 x 160mm
- Radiance 150W: 1980 x 670 x 160mm
- Radiance 190W: 2380 x 670 x 160mm

## Fuel Bed Options

- White & Clear Stones (Standard)
- Clear Crushed Glass (Upgradeable)
- Black Glass Beads (Upgradeable)
- Clear Glass Beads (Upgradeable)

# radiance steel



Radiance 80W Steel in Graphite



Radiance 100W Steel in Ivory  
with Clear Crushed Glass Fuel Effect

With its simple yet modern design, the backlit Steel frame complements the Radiance beautifully to create an eye-catching showpiece with understated style. Presented in a smart Graphite finish, the Steel frame can also be customised with your choice of bold Metallic Red or striking Matt Ivory finishes.

The Steel frame features state-of-the-art LED backlighting, emitting an ambient glow in 12 evocative colours. The remote control lets you set the Radiance to smoothly and continuously cycle through each colour, lock to your desired tint, or turn them off altogether so you can simply enjoy the flames by themselves.

## Finish Choices

- Graphite
- Ivory
- Metallic Red

## Heat Output

1.0 - 2.0kW  
(or flame effect only)

## Efficiency

99%

## Frame Dimensions w x h x d

- Radiance 80W: 1280 x 670 x 175mm
- Radiance 100W: 1480 x 670 x 175mm
- Radiance 150W: 1980 x 670 x 175mm
- Radiance 190W: 2380 x 670 x 175mm

## Fuel Bed Options

- White & Clear Stones (Standard)
- Clear Crushed Glass (Upgradeable)
- Black Glass Beads (Upgradeable)
- Clear Glass Beads (Upgradeable)



[View the Video](http://www.gazco.com/radiance)  
at [www.gazco.com/radiance](http://www.gazco.com/radiance)



# radiance inset size options



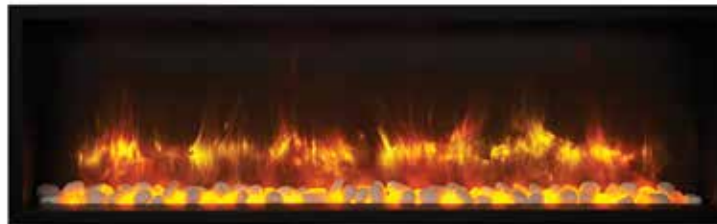
Radiance Inset fires are offered in a choice of four sizes, in either hole-in-the-wall or framed options to suit your personal tastes. Instantly catching the eye, these breathtaking designer fires will add a stylish warmth wherever they are installed.

From the compact Radiance Inset 85R to the expansive 195R, there will be a size to fit your setting whether you're looking to add style to your study or luxury to your lounge. The Inset can even be fitted into a wallpaper surround, allowing papering to the fire's edge for seamless integration with your interior styling.

All four sizes feature the same variable heat output between 1.0kW and 2.0kW and benefit from convenient thermostatic control.



radiance inset 85R



radiance inset 105R



radiance inset 135R



radiance inset 195R

## radiance inset dimensions\*

	Width	Height
Radiance 85R	901mm	336mm
Radiance 105R	1101mm	336mm
Radiance 135R	1401mm	336mm
Radiance 195R	2001mm	336mm

\* Dimensions given are those overall visible upon installation







# radiance inset edge



Radiance Inset 105R Edge



Radiance Inset 135R Edge with Clear Crushed Glass Fuel Effect

Presented as the frameless Edge, the Radiance Inset forms a striking hole-in-the-wall focal point - with its flawless lines and pure view of the mesmeric amber or blue flame effects.

The Inset Edge's streamlined design requires only a 180mm pre-constructed cavity for installation, allowing your home's interior to both frame and enhance this ultra-contemporary fire.

See pages 4 and 23 for additional images.



**View the Video**  
at [www.gazco.com/radiance](http://www.gazco.com/radiance)

## Heat Output

1.0 - 2.0kW  
(or flame effect only)

## Efficiency

99%

## Dimensions w x h\*

- Radiance Inset 85R: 901 x 336mm
- Radiance Inset 105R: 1101 x 336mm
- Radiance Inset 135R: 1401 x 336mm
- Radiance Inset 195R: 2001 x 336mm

## Fuel Bed Options

- White & Clear Stones (Standard)
- Clear Crushed Glass (Upgradeable)
- Black Glass Beads (Upgradeable)
- Clear Glass Beads (Upgradeable)

\* Dimensions given are those overall visible upon installation



# radiance inset verve xs



Radiance Inset 85R Verve XS in Ivory with Black Glass Beads Fuel Effect



Radiance Inset 105R Verve XS in Graphite

Making a bold visual statement, the Verve XS frame lends further presence to the Radiance Inset's sleek lines. With its subtle curving form, this three dimensional frame option adds depth to the fire and can be viewed from any angle in the room. Available in a choice of stylish colours, the eye-catching looks of the Verve XS both attract attention and leave a lasting impression.

See page 3 for additional image.



**View the Video**  
at [www.gazco.com/radiance](http://www.gazco.com/radiance)

## Finish Choices

- Graphite
- Ivory
- Metallic Red

## Heat Output

1.0 - 2.0kW  
(or flame effect only)

## Efficiency

99%

## Frame Dimensions w x h x d

- Radiance Inset 85R: 1200 x 532 x 56mm
- Radiance Inset 105R: 1400 x 532 x 61mm
- Radiance Inset 135R: 1700 x 532 x 69mm
- Radiance Inset 195R: 2300 x 532 x 85mm

## Fuel Bed Options

- White & Clear Stones (Standard)
- Clear Crushed Glass (Upgradeable)
- Black Glass Beads (Upgradeable)
- Clear Glass Beads (Upgradeable)



# technical information - wall mounted fires

## wall mounted radiance information

Product Code	Frame	Finish	Overall Size (mm)			Flame Viewing Area (w x h)	Heat Output	Efficiency
			w	h	d*			
<b>RADIANCE 80W</b>								
219-003	Glass	Black Glass	1280	670	160	800 x 280	1 - 2kW	99%
219-014	Glass	White Glass	1280	670	160	800 x 280	1 - 2kW	99%
219-261	Steel	Graphite	1280	670	175	800 x 280	1 - 2kW	99%
219-261RD	Steel	Metallic Red	1280	670	175	800 x 280	1 - 2kW	99%
219-261IV	Steel	Ivory	1280	670	175	800 x 280	1 - 2kW	99%
<b>RADIANCE 100W</b>								
219-019	Glass	Black Glass	1480	670	160	1000 x 280	1 - 2kW	99%
219-027	Glass	White Glass	1480	670	160	1000 x 280	1 - 2kW	99%
219-274	Steel	Graphite	1480	670	175	1000 x 280	1 - 2kW	99%
219-274RD	Steel	Metallic Red	1480	670	175	1000 x 280	1 - 2kW	99%
219-274IV	Steel	Ivory	1480	670	175	1000 x 280	1 - 2kW	99%
<b>RADIANCE 150W</b>								
219-033	Glass	Black Glass	1980	670	160	1500 x 280	1 - 2kW	99%
219-056	Glass	White Glass	1980	670	160	1500 x 280	1 - 2kW	99%
219-286	Steel	Graphite	1980	670	175	1500 x 280	1 - 2kW	99%
219-286RD	Steel	Metallic Red	1980	670	175	1500 x 280	1 - 2kW	99%
219-286IV	Steel	Ivory	1980	670	175	1500 x 280	1 - 2kW	99%
<b>RADIANCE 190W</b>								
219-060	Glass	Black Glass	2380	670	160	1900 x 280	1 - 2kW	99%
219-084	Glass	White Glass	2380	670	160	1900 x 280	1 - 2kW	99%
219-293	Steel	Graphite	2380	670	175	1900 x 280	1 - 2kW	99%
219-293RD	Steel	Metallic Red	2380	670	175	1900 x 280	1 - 2kW	99%
219-293IV	Steel	Ivory	2380	670	175	1900 x 280	1 - 2kW	99%

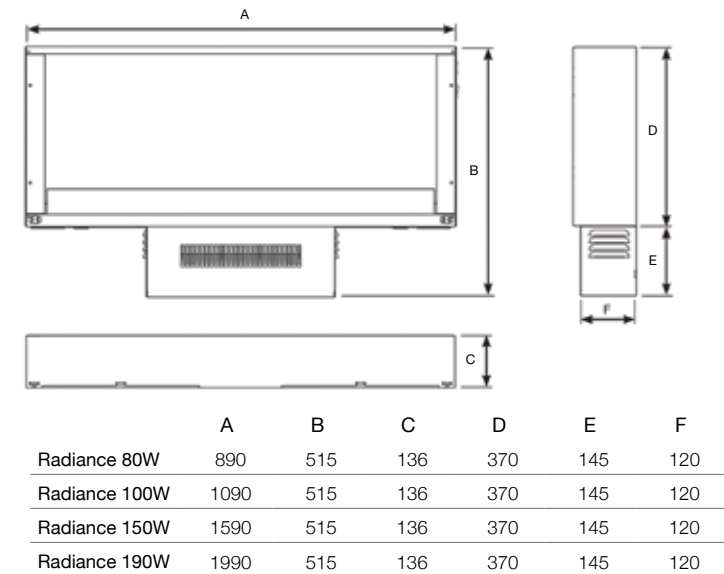
\*Depth of overall installation including 10mm deep wall mounting bracket.

## radiance optional fuel effects and accessories

Fuel Effect	Product Codes				Product Code	Description
	80W	100W	150W	190W		
Clear Crushed Glass	919-008	919-021	919-021	919-034	919-802	Radiance Semi-Recess Kit
Black Glass Beads	923-788	923-788	923-788	923-735		
Clear Glass Beads	923-774	923-774	923-774	923-797		

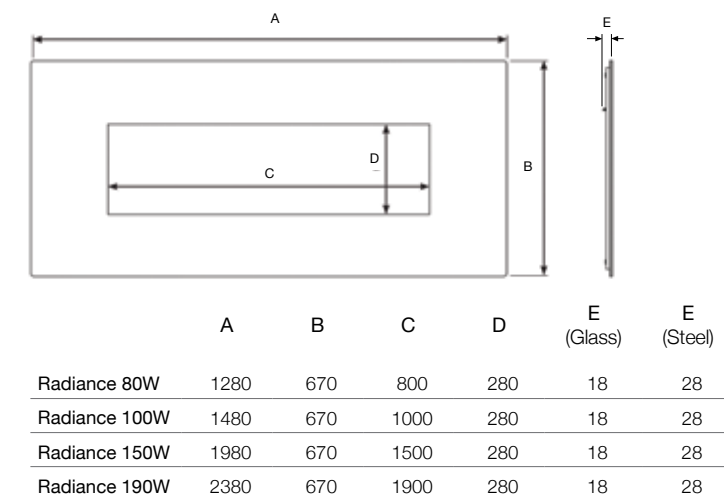
For a more minimalist installation, an optional semi-recess kit is available for reducing the depth of the wall mounted Radiance by recessing it in a pre-constructed 90mm cavity.

## fire dimensions - wall mounted radiance



All dimensions in mm

## frame dimensions - wall mounted radiance



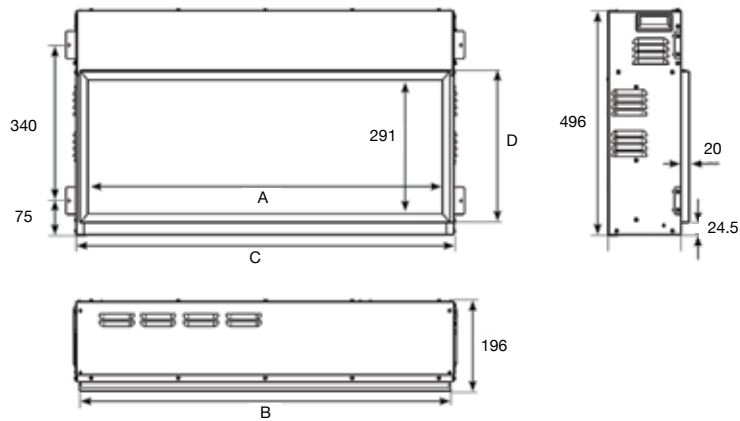
# technical information - inset fires

## radiance inset edge information

Product Code	Description	Flame Viewing Area (w x h)	Heat Output	Efficiency
219-148	Radiance Inset 85R Edge	855 x 291	1 - 2kW	99%
219-164	Radiance Inset 105R Edge	1055 x 291	1 - 2kW	99%
219-170	Radiance Inset 135R Edge	1355 x 291	1 - 2kW	99%
219-188	Radiance Inset 195R Edge	1955 x 291	1 - 2kW	99%

## fire dimensions - radiance inset

All dimensions in mm



	A	B	C	D
Radiance 85R Inset	855	901	912	336
Radiance 105R Inset	1055	1101	1112	336
Radiance 135R Inset	1355	1401	1412	336
Radiance 195R Inset	1955	2001	2012	336

## radiance inset optional fuel effects

Fuel Effect	Product Codes			
	85R	105R	135R	195R
Clear Crushed Glass	919-021	919-021	919-034	919-047
Black Glass Beads	923-788	923-788	923-735	923-760
Clear Glass Beads	923-774	923-774	923-797	923-751

## radiance inset verve xs information

Product Code	Frame	Finish	Heat Output	Efficiency	Frame Dimensions mm (see below)							
					A	B	C	D	E	F	G	H
<b>RADIANCE 85R</b>												
219-042	Verve XS	Graphite	1 - 2kW	99%	1200	532	845	281	178	126	56	35
219-042RD	Verve XS	Metallic Red	1 - 2kW	99%	1200	532	845	281	178	126	56	35
219-042IV	Verve XS	Ivory	1 - 2kW	99%	1200	532	845	281	178	126	56	35

### RADIANCE 105R

219-050	Verve XS	Graphite	1 - 2kW	99%	1400	532	1045	281	178	126	61	35
219-050RD	Verve XS	Metallic Red	1 - 2kW	99%	1400	532	1045	281	178	126	61	35
219-050IV	Verve XS	Ivory	1 - 2kW	99%	1400	532	1045	281	178	126	61	35

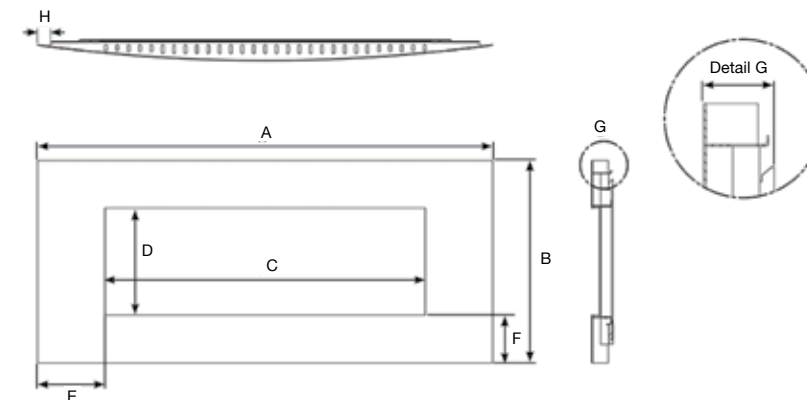
### RADIANCE 135R

219-062	Verve XS	Graphite	1 - 2kW	99%	1700	532	1345	281	178	126	69	35
219-062RD	Verve XS	Metallic Red	1 - 2kW	99%	1700	532	1345	281	178	126	69	35
219-062IV	Verve XS	Ivory	1 - 2kW	99%	1700	532	1345	281	178	126	69	35

### RADIANCE 195R

219-070	Verve XS	Graphite	1 - 2kW	99%	2300	532	1945	281	178	126	85	35
219-070RD	Verve XS	Metallic Red	1 - 2kW	99%	2300	532	1945	281	178	126	85	35
219-070IV	Verve XS	Ivory	1 - 2kW	99%	2300	532	1945	281	178	126	85	35

## frame dimensions - radiance inset verve xs







Radiance 100W Glass in Black Glass

Gazco pursue a policy of continuous product improvement, therefore, whilst our products are correct at the time of the photography, we reserve the right to make alterations and amendments. Exact product details should be discussed with your retailer at the time of purchase.

Gazco gratefully acknowledges the assistance of the following companies with photographic settings:

Furnishings and Ornaments:- [www.furniturevillage.co.uk](http://www.furniturevillage.co.uk); [www.romo.com](http://www.romo.com); [www.debenhams.com](http://www.debenhams.com); [www.eclectique.co.uk](http://www.eclectique.co.uk); [www.theorangetree.co.uk](http://www.theorangetree.co.uk); [www.justshutters.co.uk](http://www.justshutters.co.uk); [www.homebase.co.uk](http://www.homebase.co.uk); [www.lauraashley.com](http://www.lauraashley.com); [www.faginsantiques.com](http://www.faginsantiques.com); [www.nestinteriors.com](http://www.nestinteriors.com); [www.stbridgetnurseryseries.co.uk](http://www.stbridgetnurseryseries.co.uk); [www.ashorejewellery.co.uk](http://www.ashorejewellery.co.uk); [www.johnlewis.com](http://www.johnlewis.com); [www.veryvintagehire.co.uk](http://www.veryvintagehire.co.uk); [www.carpertright.co.uk](http://www.carpertright.co.uk) Wood Mantels:- [www.stovax.com](http://www.stovax.com) Stone Mantels:- [www.rudloe-stone.com](http://www.rudloe-stone.com); [www.farmington.co.uk](http://www.farmington.co.uk); [www.bnsp.co.uk](http://www.bnsp.co.uk) Paintings:- [www.easyart.com](http://www.easyart.com)  
Flooring:- [www.beachbros.co.uk](http://www.beachbros.co.uk); [www.originalstyle.com](http://www.originalstyle.com); [www.carpertright.com](http://www.carpertright.com) Televisions:- [www.heavitreeradio.co.uk](http://www.heavitreeradio.co.uk)



Gazco Limited, Osprey Road, Sowton Industrial Estate, Exeter, Devon, England EX2 7JG

Tel: 01392 261900 • Fax: 01392 444148 • Export Sales: 00 44 1392 261990

Email: [info@gazco.com](mailto:info@gazco.com) • [www.gazco.com](http://www.gazco.com)



MK Technika Grzewcza

45-368 Opole, ul. Ozimska 53  
tel. 77 453-14-14, 77 402-14-70, 77 402-14-71  
fax 77 402-14-70, 77 402-14-71  
e-mail: [biuro@mk.net.pl](mailto:biuro@mk.net.pl)  
[www.mk.net.pl](http://www.mk.net.pl)